

PRODUCT INFORMATION SHEET

Description

The Explosion Relief Valve EVO is a reusable, flameless venting device, which is designed for the protection of personnel and equipment in case of oil mist or gas explosions in the crankcase of gas, diesel or dual-fuel engines. In the event of an explosion, the venting device opens by lifting the valve plate, and directs the vented explosion through the flame arrester, preventing flames from being expelled to the surrounding areas. The relief valve type EVO is equipped with a conical spring, immediately after the pressure event, the valve plate closes and resets.

Features

- ATEX and IACS certification
- Optimum protection for personnel and equipment
- Flameless explosion pressure relief
- No shut-down required after an explosion/back-fire
- Flexibility due to variable installation position
- All valves are functionally tested when built



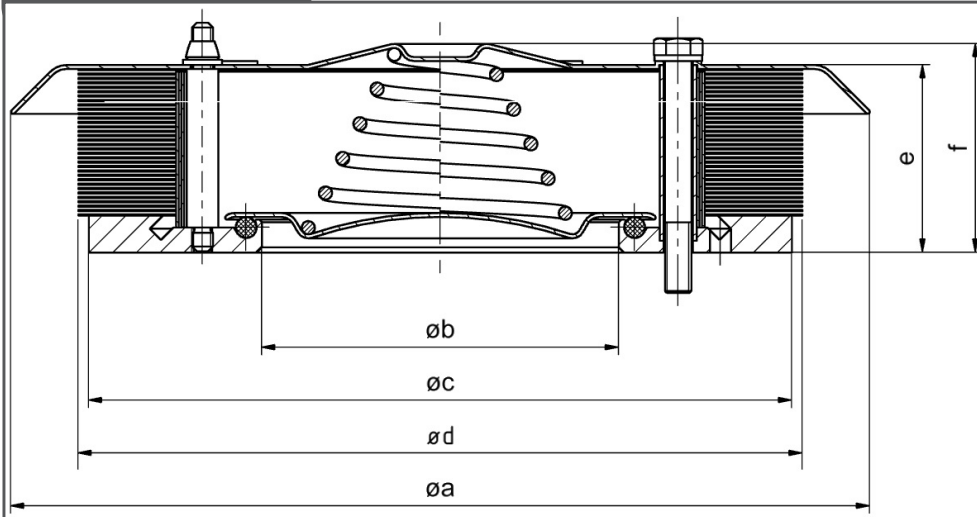
Application

Explosions can occur in the crankcase of combustion engines, as well as large compressors, gearbox and transmissions. Internal components of these devices cause the oil to form a cloud or mist throughout the confined spaces. In the case of gas burning or dual-fuel engines, gas can also escape into the crankcase or other confined spaces of these applications creating a dangerous environment for explosions. The use of relief valves is a proven way to mitigate equipment damage from over-pressure and flame and prevent injury to personnel.

EVO



Technical Data



Protection of Crankcases for dual-fuel and gas engines

Type	Geom. Relief Area [cm ²]	Dimensions						Approx Weight [kg]
		a [mm]	b [mm]	c [mm]	d [mm]	e [mm]	f [mm]	
98 EVO	59.4	240	87	206	214	44.5	49.5	5
122 EVO	95	290	110	236	244	56.5	66.5	8
150 EVO	143	325	135	266	274	71	81	8
162 EVO	177	320	150	277	285	79	90	11
173 EVO	201	340	160	303	307	78	89	13
224 EVO	346	400	210	362	365	104.5	109.5	22
266 EVO	499	468	252	409	417	134	154	35

Manufactured Material dependent on the specific application

Additional Notes

- Maximum Safety Distance Required: 2.0 meters in radial direction and 0.5 meters in axial direction
- Counter-flange Kit (gasket/hardware) sold separately
- Sensor Control unit sold separately

Contact Information

IEP Technologies - Austria
(HOERBIGER Safety Solutions)
Tel: +43 1 2244 0

IEP Technologies - Belgium
(HOERBIGER Safety Solutions)
Tel: +49 2102 5889 0

IEP Technologies - Finland
Tel: +358 10 325 358 0

IEP Technologies - France
Tel: +33 1 5803 3980

IEP Technologies - Germany
Tel: +49 2102 5889 0

IEP Technologies - Italy
(HOERBIGER Safety Solutions)
Tel: +39 045 2370762

IEP Technologies - Sweden
(HOERBIGER Safety Solutions)
Tel: +46 70 564 3306

IEP Technologies - Switzerland
Tel: +41 62 207 10 10

IEP Technologies - Turkey
Tel: +90 232 484 4412

IEP Technologies - UK
Tel: +44 1242 283 060

IEP Technologies - USA
Tel: +1-855-793-8407

IEP Technologies - Latin America
(HOERBIGER Safety Solutions)
Tel: +55 (11) 4446 7400

IEP Technologies - China
(HOERBIGER Safety Solutions)
Tel: +86 21 6485 0855 Ext 8211

IEP Technologies - South East Asia
(HOERBIGER Safety Solutions)
Tel: +65 6890 0770